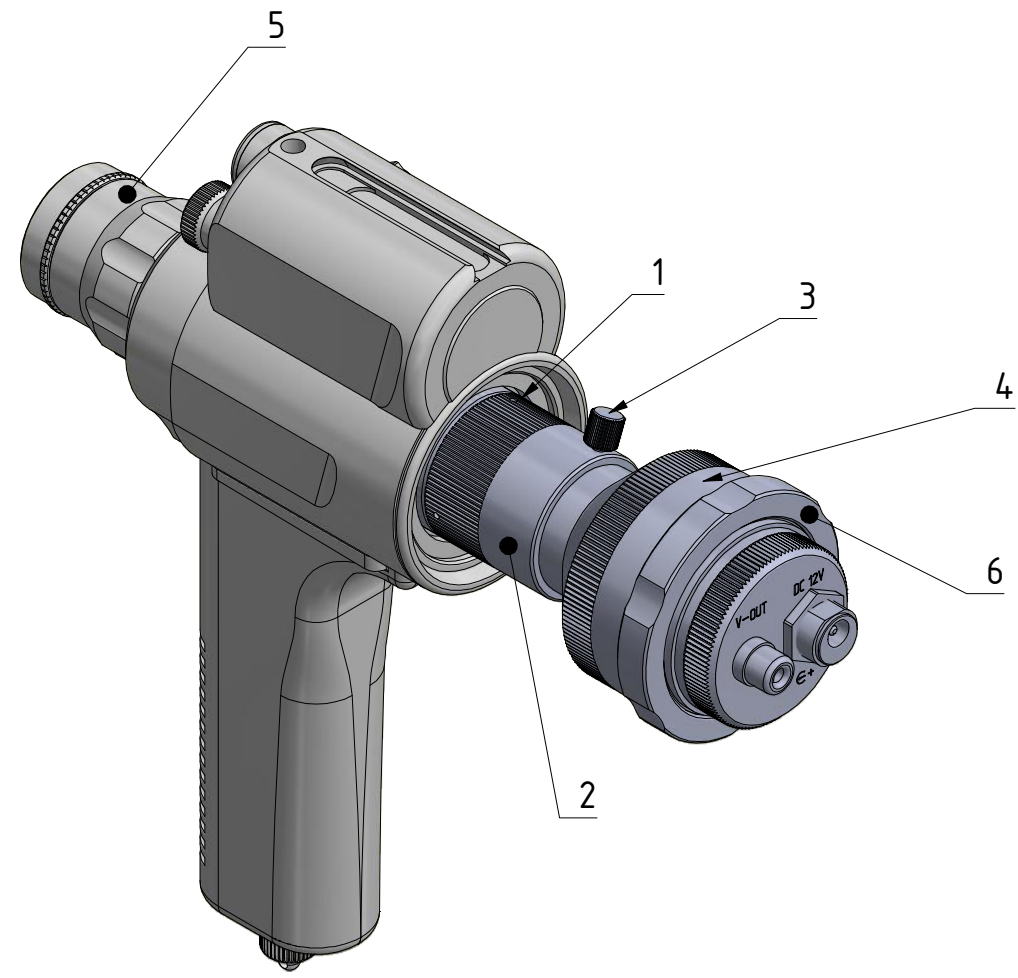
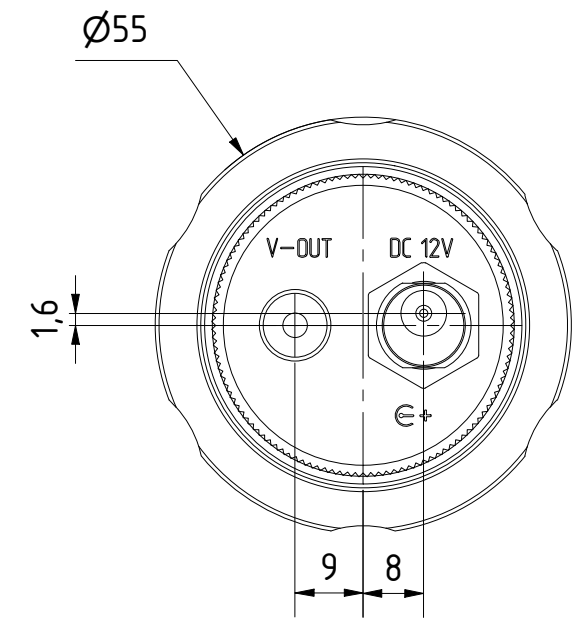
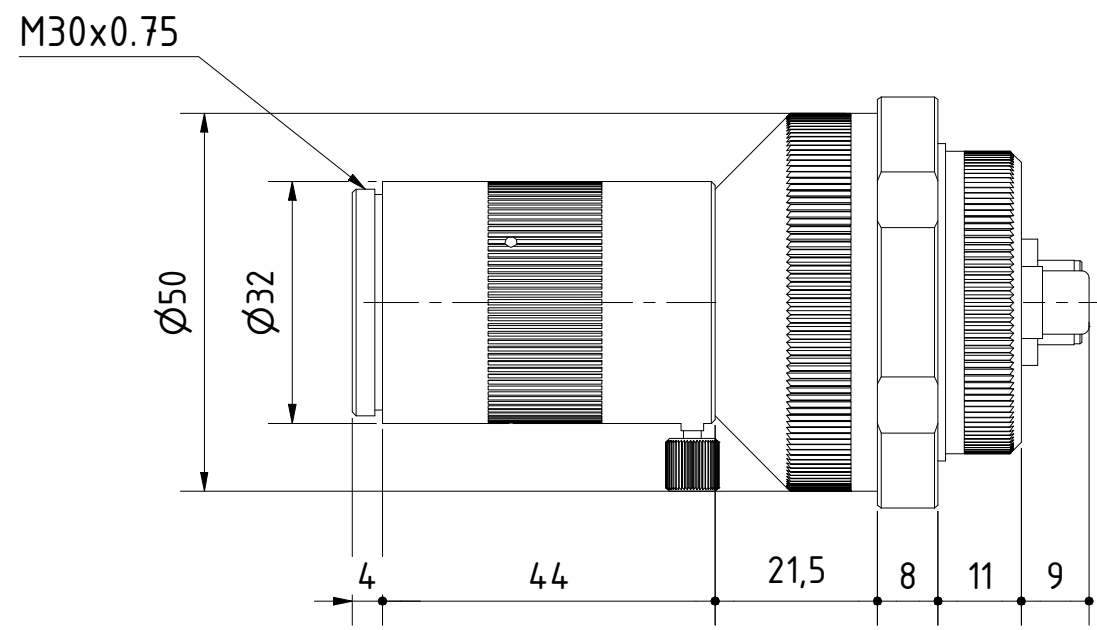


6 5 4 3 2 1



**VIDEO ADAPTER VA-1**

VA-1 camera adapter is option for using with Abris-M series of infrared viewers. It is designed for viewing, recording and digitization of images in near infrared spectral band, as well as real-time, hands-free monitoring. Optimized optical system (relay lens) transmit image from the screen of image converter to high resolution CCD camera without any distortion and minimum losses of radiation. The camera adapter contains aluminium body with M30x0.75 screw, relay lens and 1/3" CCD camera.

**SPECIFICATIONS**

Signal format	CCIR or EIA
System resolution (centre)	300 TV lines
S/N ratio	>48 dB
Distortion of image on edge	<18%
Video output	RCA connector
Power requirement	10...12V DC, 120 mA max.
Dimension	L 99mm x D 55 mm
Weight	200gr.

**OPERATION**

1. Unscrew the eyepiece (1) of the infrared viewer.
2. Screw the camera adapter (2) into the infrared viewer instead of the eyepiece.
3. Switch on the infrared viewer, the camera adapter and monitor (not included).
4. Release the screw (3). Turning the body (4) and adjusting lens focus (5) of infrared viewer try to achieve the best sharpness of the picture. Tighten the screw (3) when desired sharpnes is achieved.
5. Release the ring (6). Turning the body (4), arrange right orientation of the picture. Holding the body (4), tighten the ring (6).

**FOR INFORMATION ONLY  
NOT FOR MANUFACTURING PURPOSES**

	Designed by	Drawing Projection	Scale
	Robertas G.		
UAB ADOS-TECH Mokslininkų st. 2A, 08412 Vilnius, Lithuania	Part No.	Weight	Size
	Video adapter VA-1_ABRIS	0.037 kg	A3
			Sheet
			1 / 1

6 5 4 3 2 1